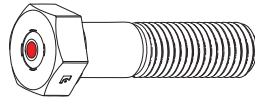
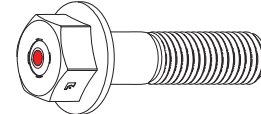


I. BOLT INFORMATION

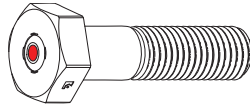
1. Bolt Head Type:



Hex Head Cap Screw



Hex Head Flange Bolt



Heavy Hex Cap Screw

Other _____

2. Dimensions:

_____ - _____ x _____
 Nominal Diameter TPI/Pitch Length

3. Grade:

Grade 5/Class 8.8 Grade 8/Class 10.9 Other _____

4. Finish:

Plain Clear Zinc Yellow Zinc
 Other _____

5. Thread Length:

Partial Full Custom _____

6. Additional Specifications:

II. VISUAL INDICATION SYSTEM

Standard Indicator Design - Shows "Tight" color at 70% of fastener modified proof load.

Custom Indicator Design - Shows "Tight" color as requested (limits apply).

The Visual Indication System measures tension. If required tension is unknown, an installation torque value may be substituted

_____ Requested Indicating Tension
 (klbf, kN)

OR _____ Requested Installation Torque*
 (lbs-ft, Nm)

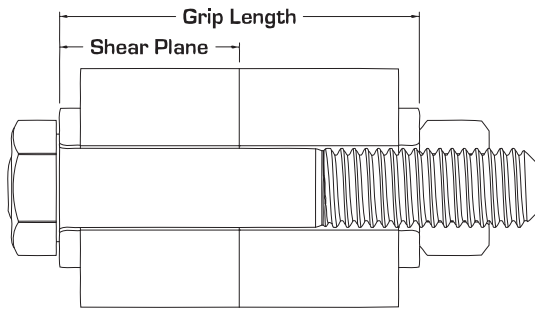
AND

_____ Assumed Nut Factor* *

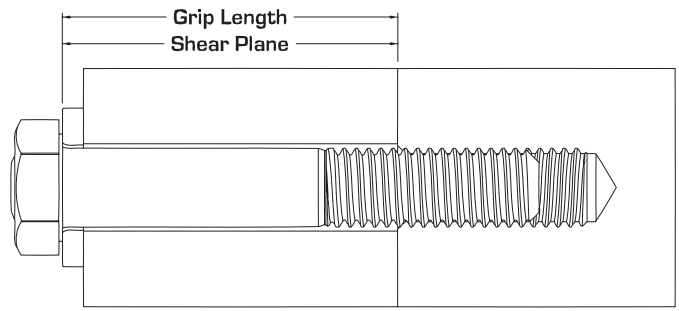
*Torque values will be converted using the equation $T = KFD$, where T=torque, F=force, D=diameter, and K=nut factor.

**Nut factor will be assumed to be 0.2 unless otherwise noted.

III. APPLICATION INFORMATION



Type 1: Clearance Hole



Type 2: Blind Hole

- | | | |
|----------------------|----------------|----------------------|
| 1. Bolted Joint Type | Clearance Hole | Blind Hole |
| 2. Grip Length | _____ | 3. Shear Plane _____ |
| 4. Environment | _____ | |
| | _____ | |
| 5. Comments | _____ | |
| | _____ | |

IV. OPTIONS

- | | | |
|--|---|---|
| <input type="checkbox"/> Protective Recess | <input type="checkbox"/> Contamination Seal | <input type="checkbox"/> Made in USA Fastener |
| <input type="checkbox"/> Material Test Records | | |

V. ORDER INFORMATION

- | | | | |
|--------------------------|-------|---|---|
| 1. Quantity | _____ | <input type="checkbox"/> Exact Quantity | <input type="checkbox"/> Expedite Order |
| 2. Expected Annual Usage | _____ | | |
| 3. First Name | _____ | 4. Last Name | _____ |
| 5. Company | _____ | 6. Position | _____ |
| 7. Phone | _____ | 8. Email | _____ |
| 9. Country | _____ | 10. Postal Code | _____ |

That's it! Save this document and send to sales@smartbolts.com to receive a quotation.